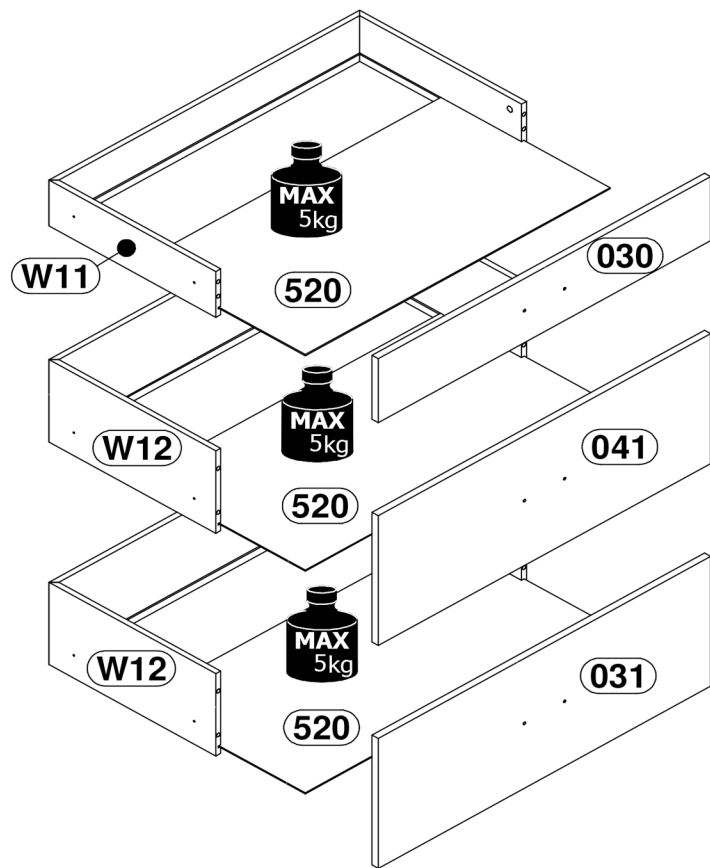
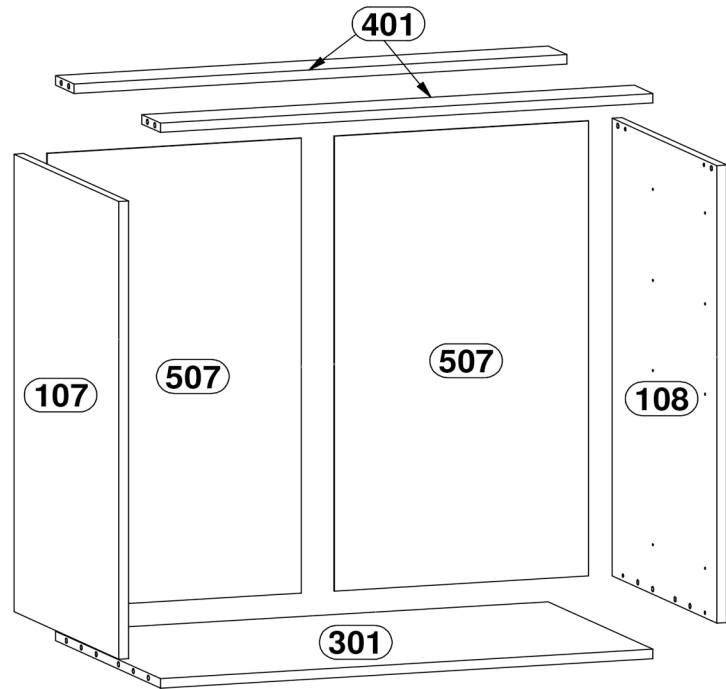
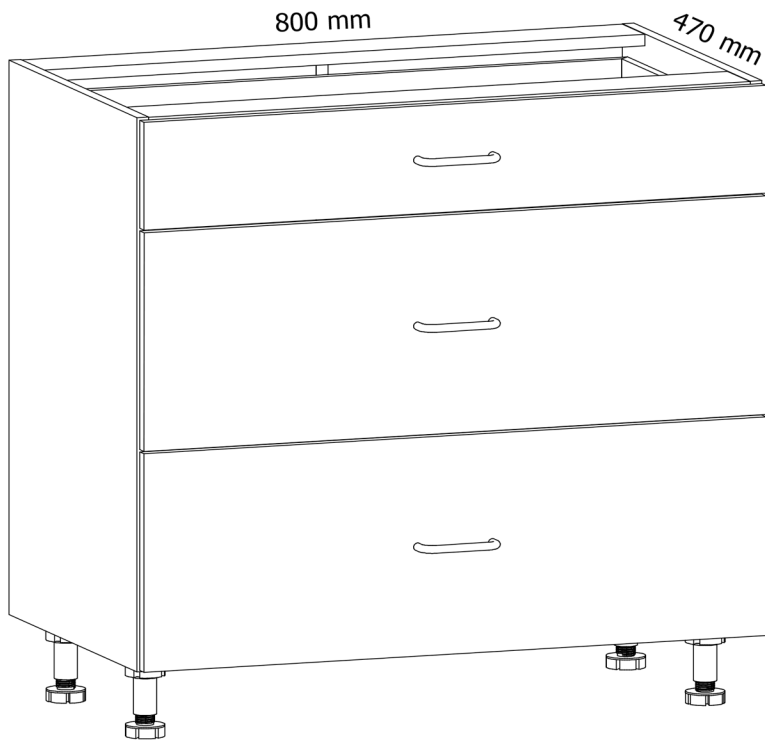
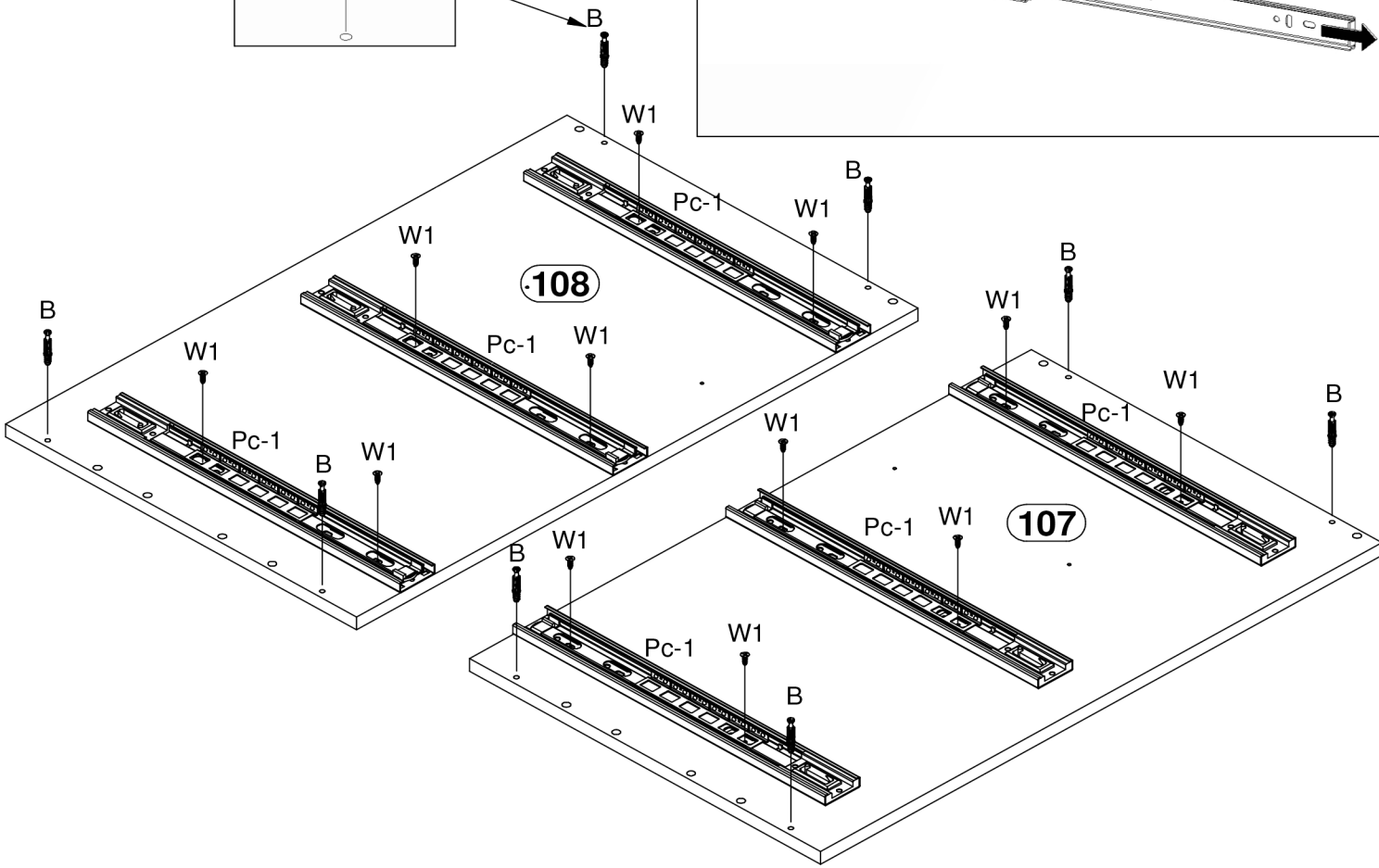
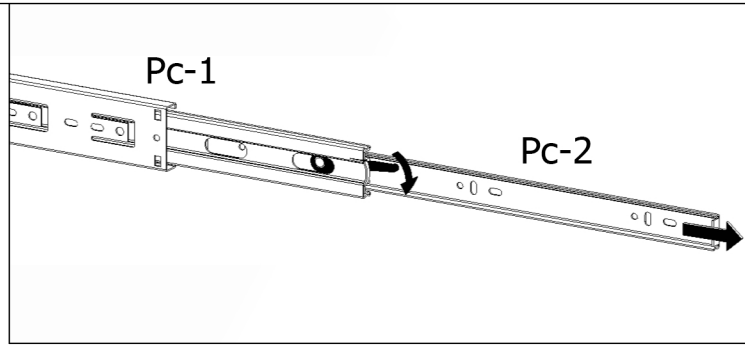
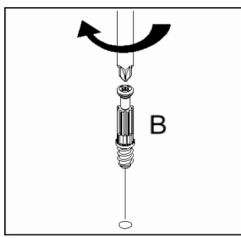


# D80S3

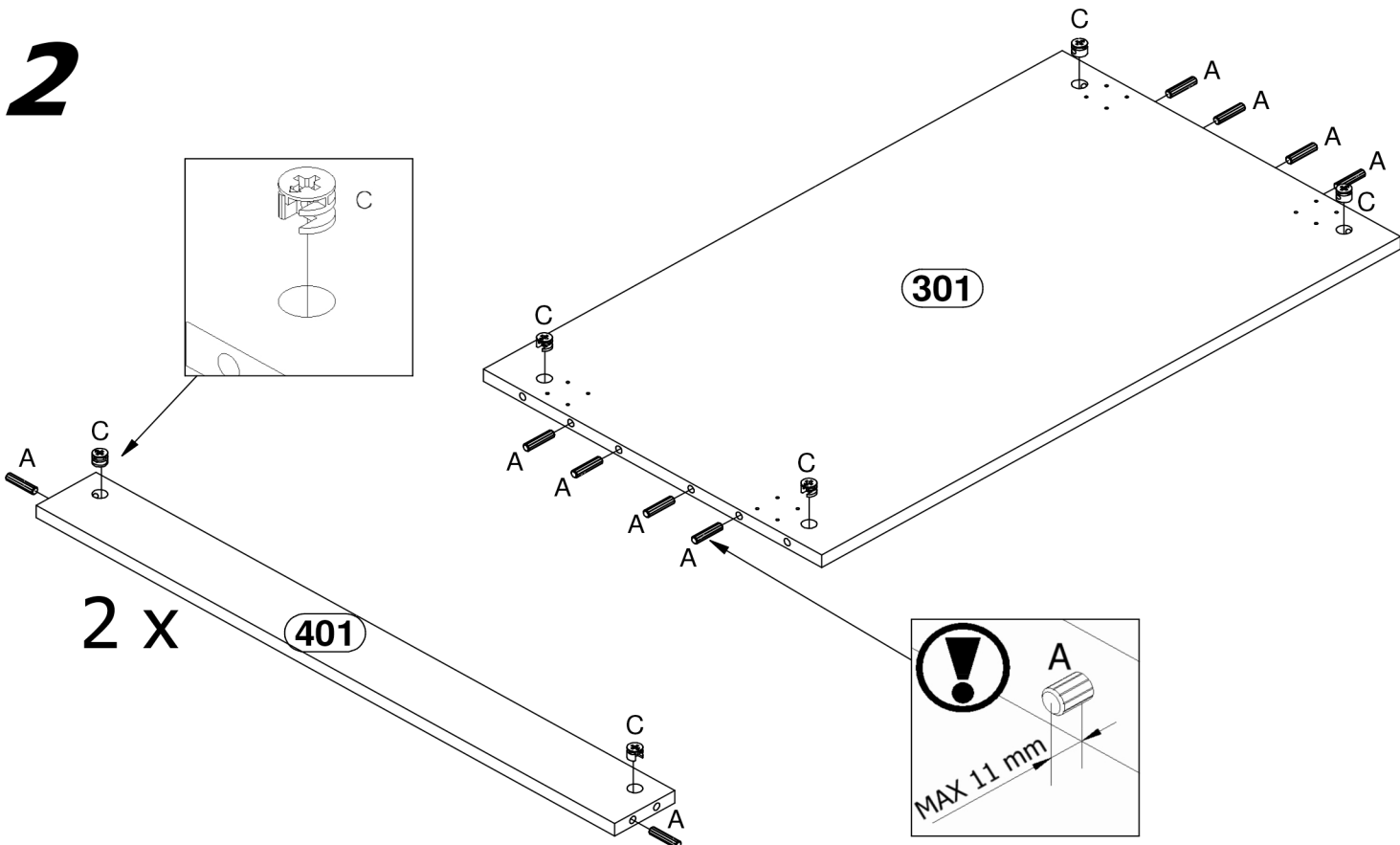
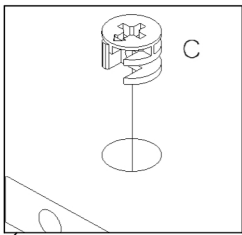


<b>A</b> x18  Ø8x35mm	<b>B</b> x14  715 mm	<b>C</b> x8  Ø15x12mm	<b>C1</b> x6  Ø12x10mm
<b>G</b> x35 	<b>H</b> x1  715 mm	<b>Kw</b> x3  400 mm	<b>L1</b> x4 
<b>M</b> x3 	<b>Pc</b> x6 Pc-1  Pc-2  Pc-2		<b>W1</b> x30  Ø3,5x13mm
<b>W2</b> x16  Ø3,5x16mm	<b>Y</b> x14  Ø18 mm		

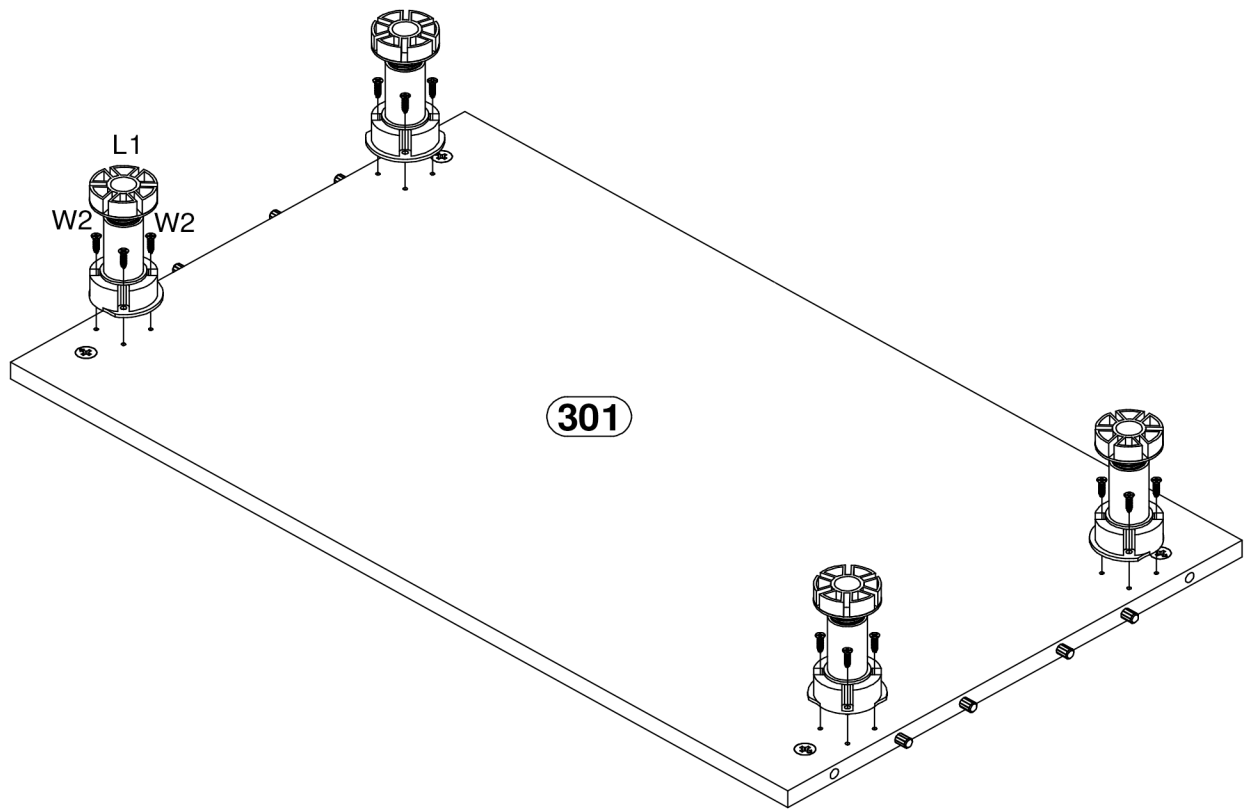
# 1



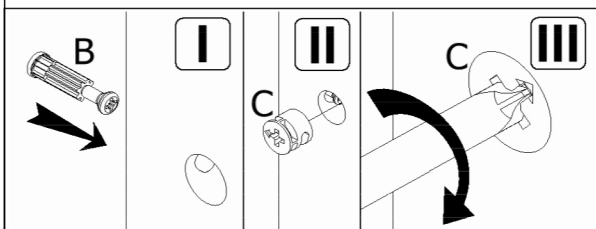
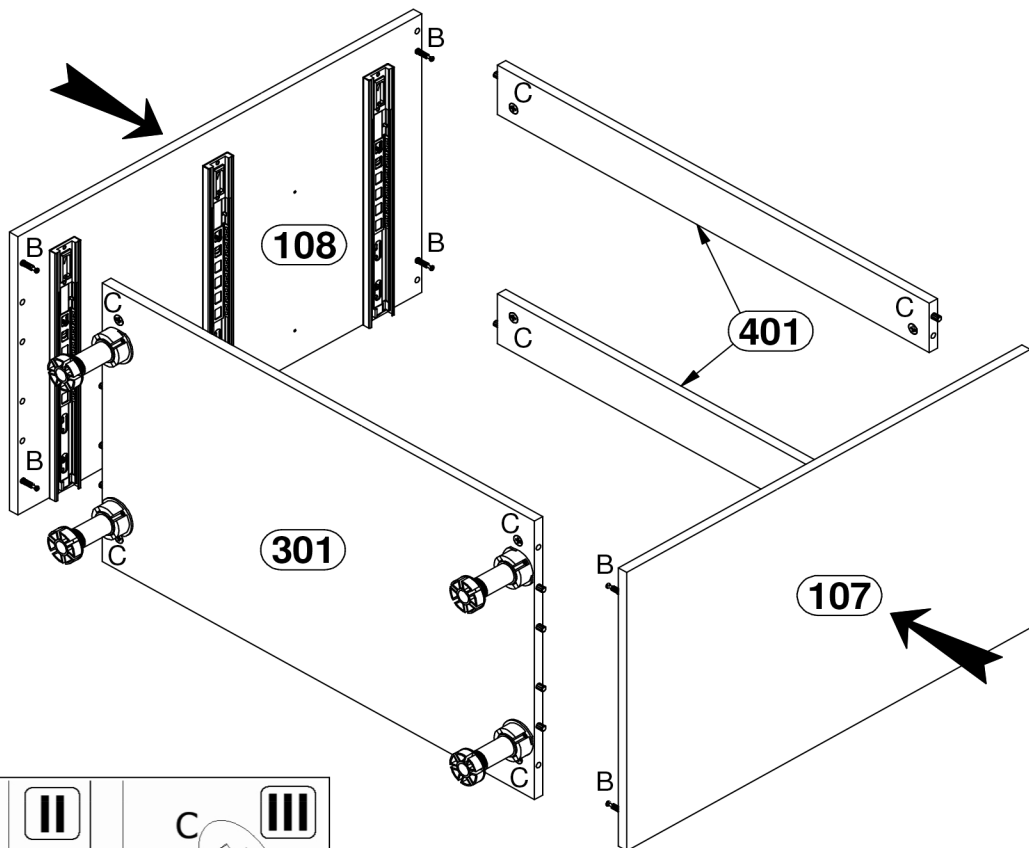
# 2



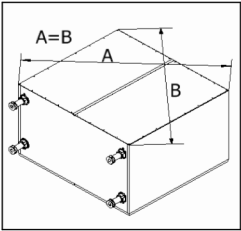
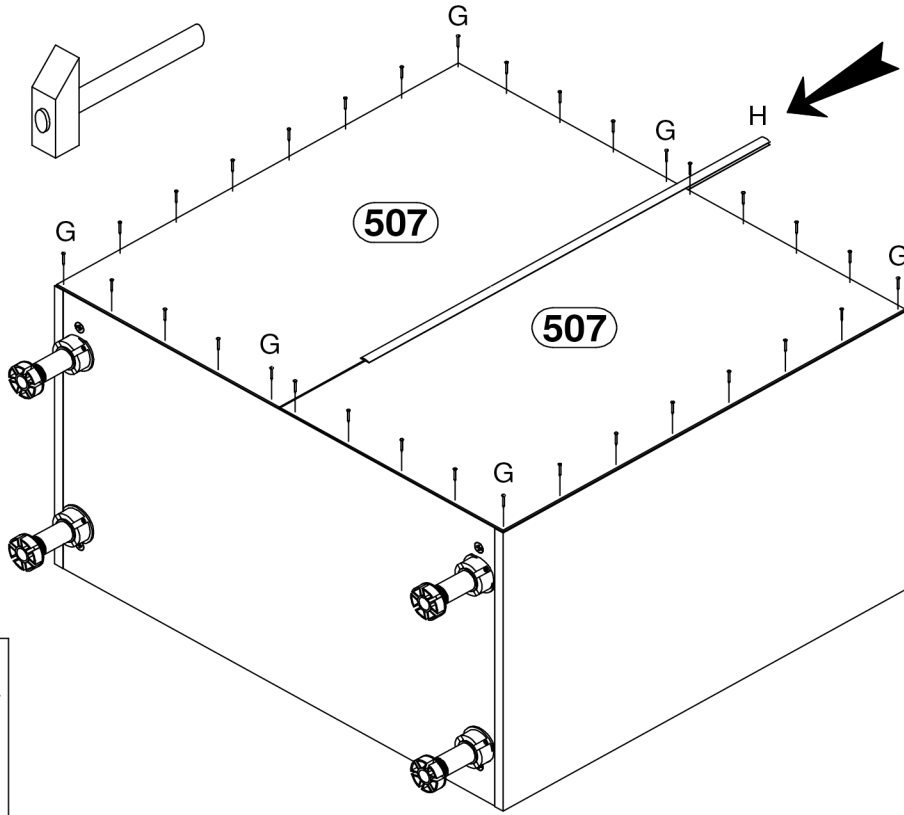
# 3



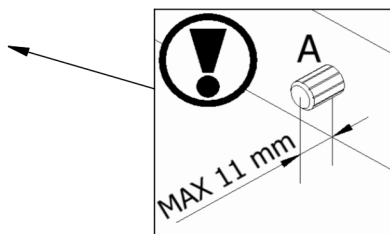
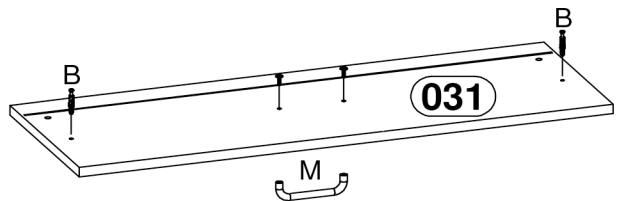
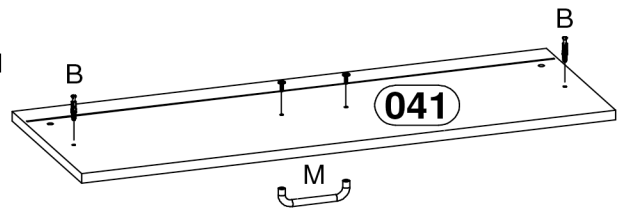
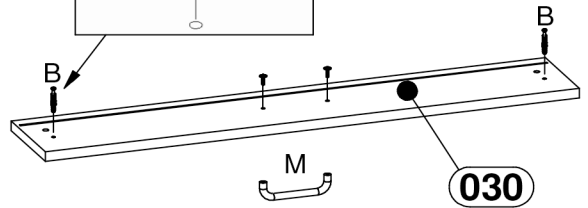
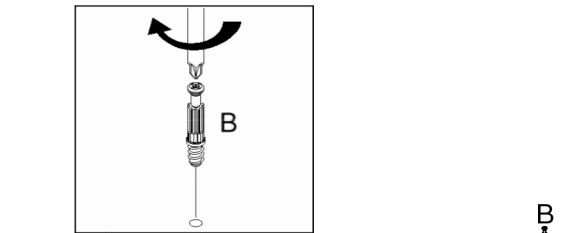
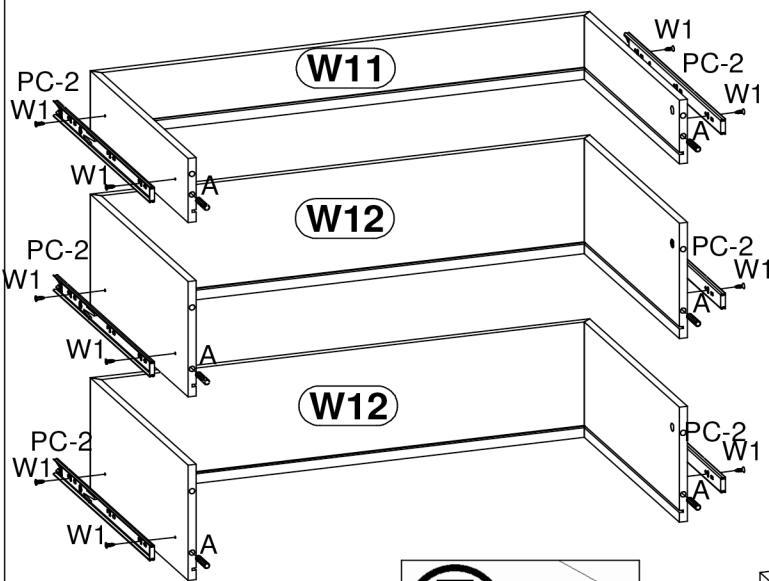
# 4



# 5

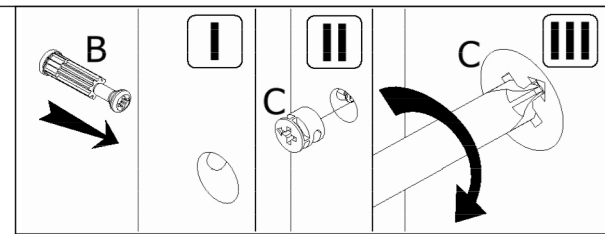
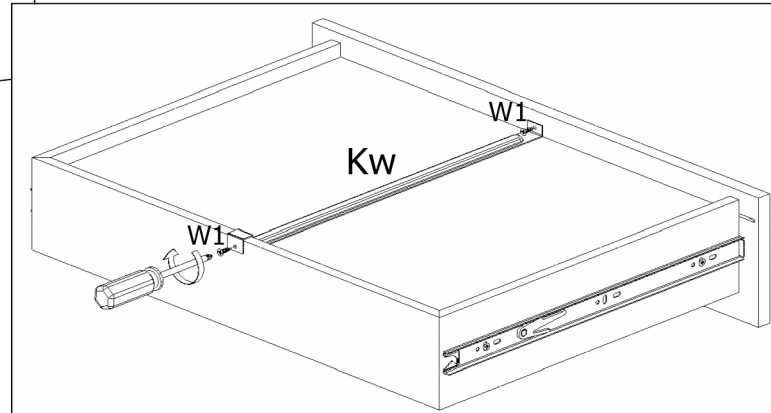
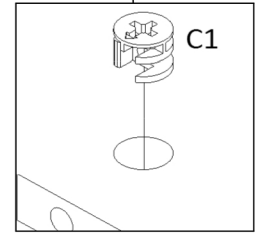
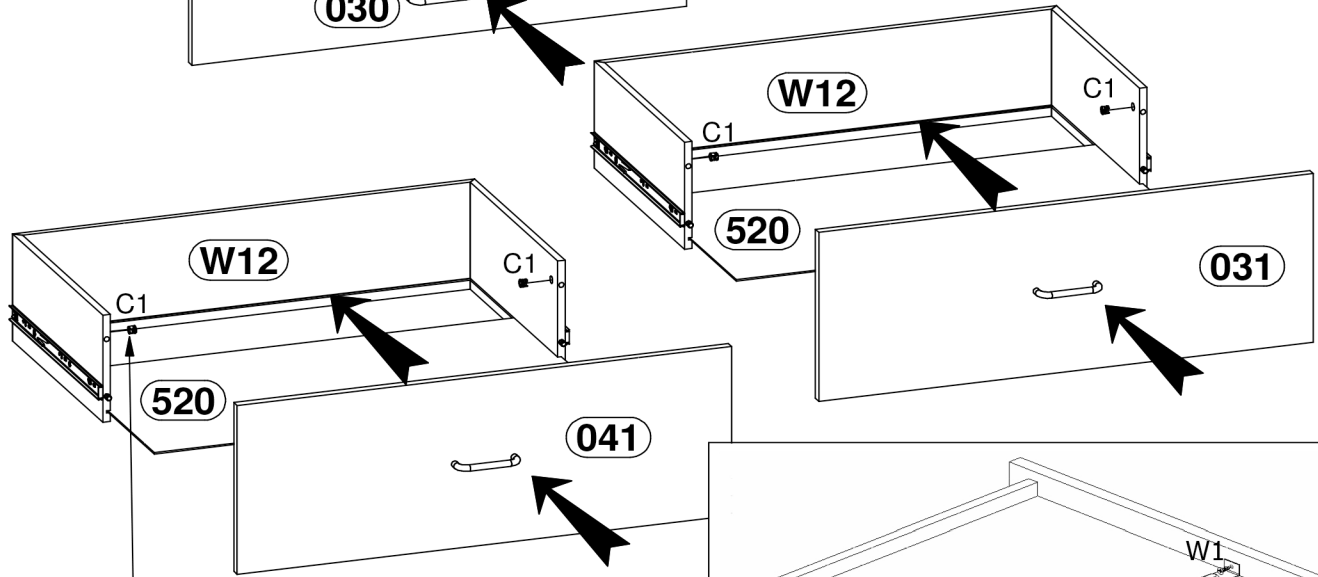
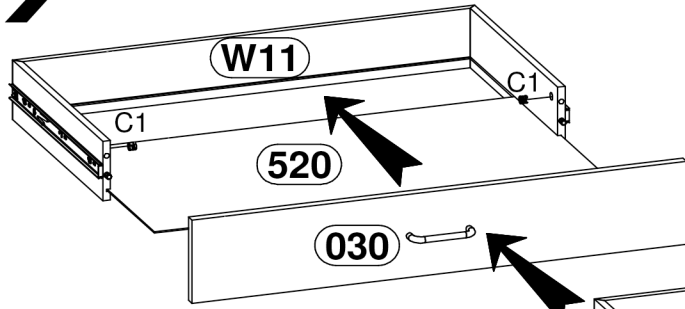


# 6

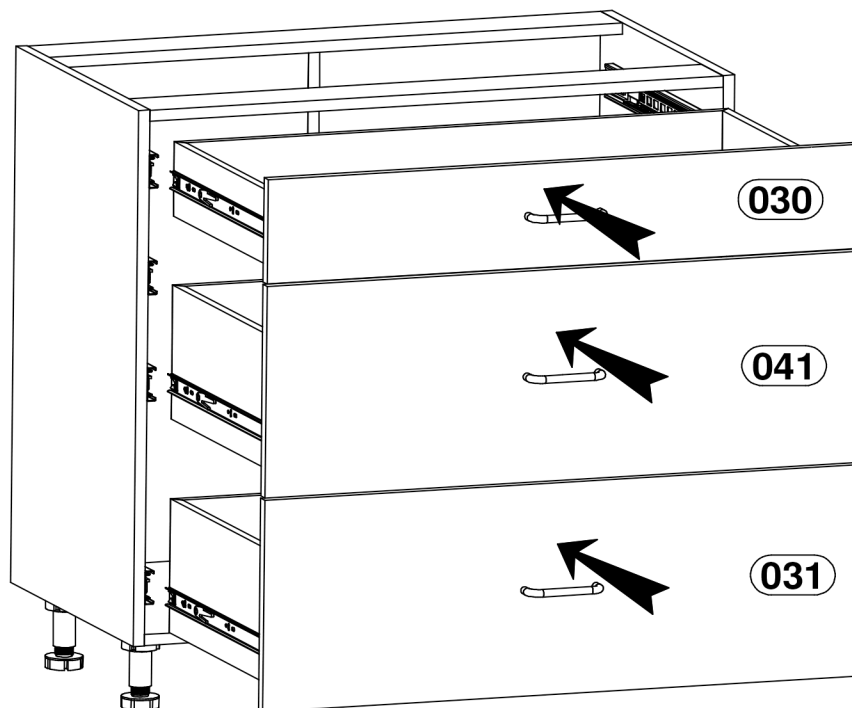


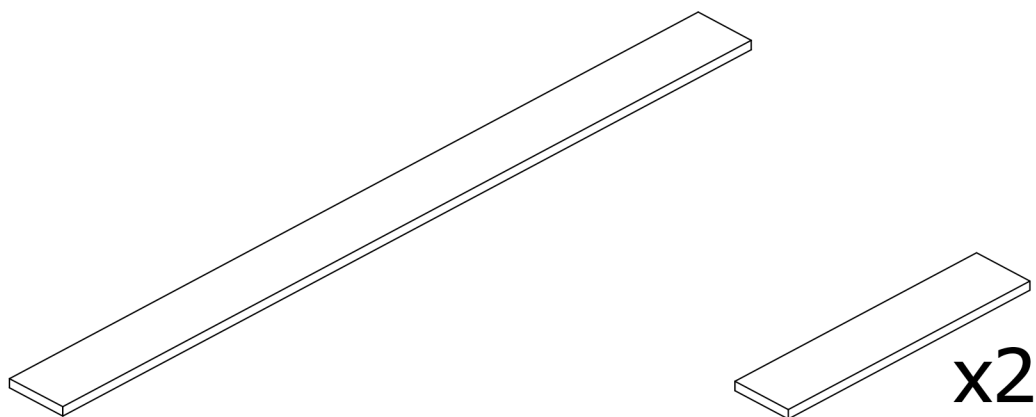
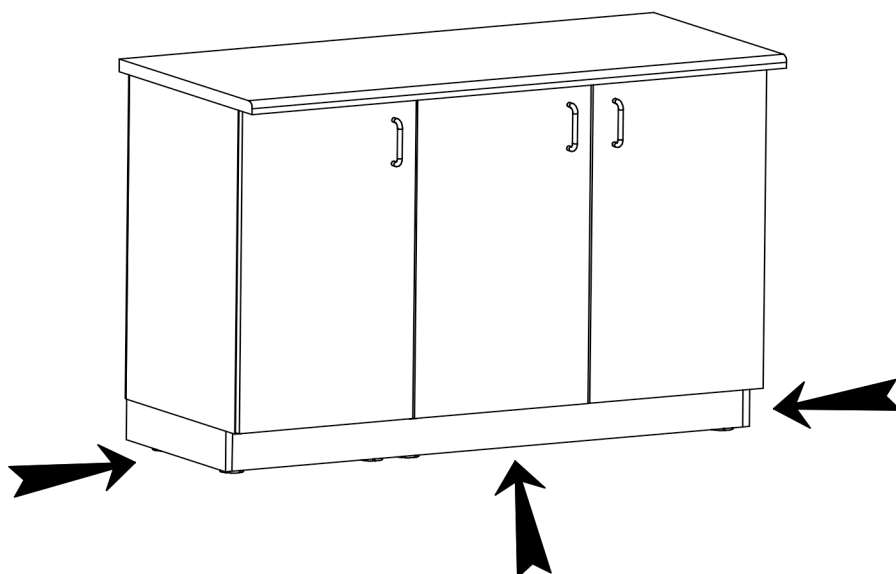


7

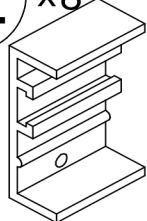


8

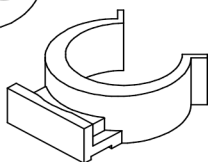




L2 x8



L3 x8

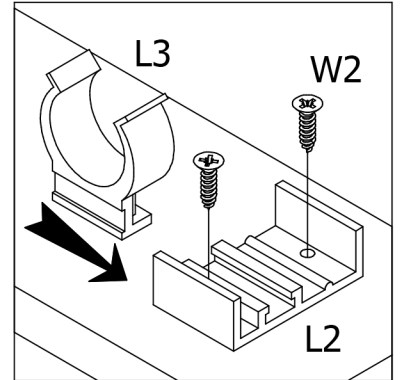
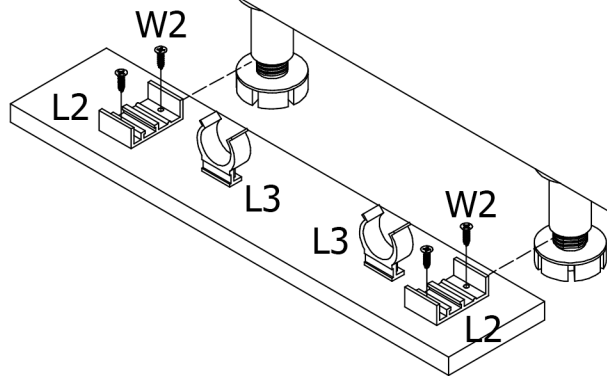


W2 x16



Ø3,5x16

# 9



# 10

